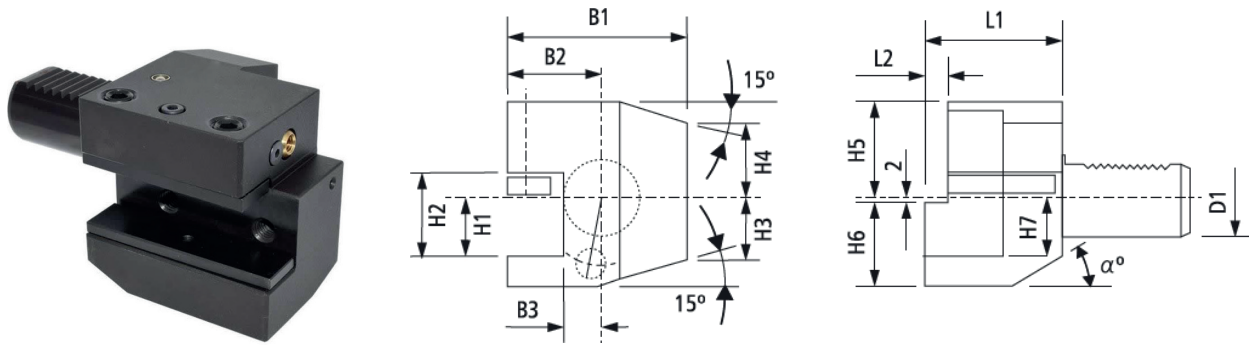


VDI - FRONTAL (AXIAL) ESQUERDO

DIN 69880 C2



Código	D1	H1	B1	B2	B3	H2	H3	H4	H5	H6	H7	L1	L2	α°
04522	VDI30	20	70	35,0	10,0	29	26	22	35,0	38	28	40	22	25°
04523	VDI40	25	85	42,5	12,5	34	35	30	42,5	48	-	44	22	-
04524	VDI50	32	100	50,0	16,0	41	42	35	50,0	60	-	55	30	-

SHARPCUT TECHNOLOGIES