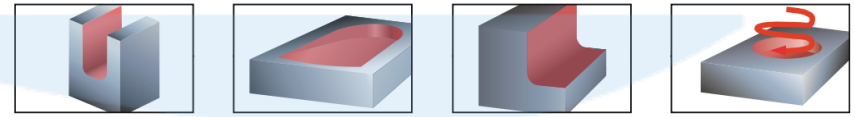
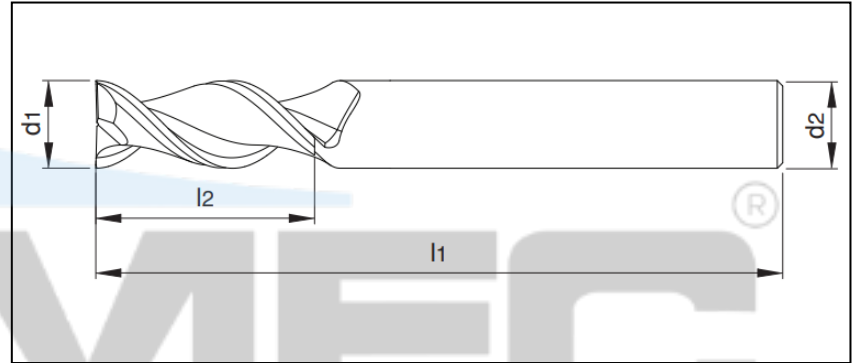
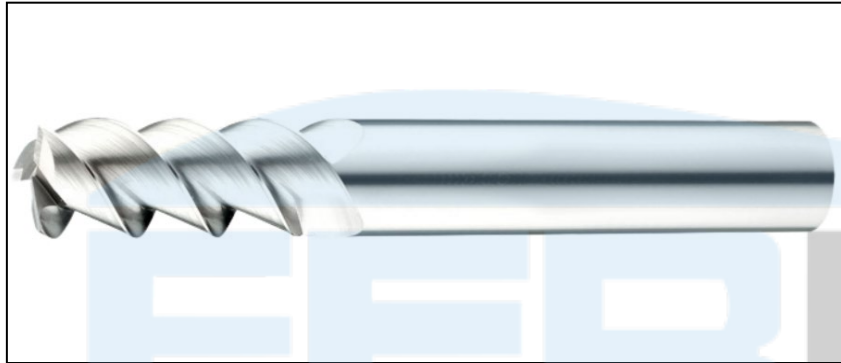


FRESA DE TOPO RETO DE METAL DURO PARA ALUMÍNIO

3 CORTES - STANDARD



Código	d1	l2	l1	d2
F MD D 1MM 3C ALUM. H4 S/C	1.0	3	50	4
F MD D 1MM 3C ALUM. H6 S/C	1.0	3	50	6
F MD D 1.5MM 3C ALUM. H4 S/C	1.5	4.5	50	4
F MD D 2MM 3C ALUM. H4 S/C	2.0	6	50	4
F MD D 2MM 3C ALUM. H6 S/C	2.0	6	50	6
F MD D 2.5MM 3C ALUM. H4 S/C	2.5	7	50	4
F MD D 3MM 3C ALUM. S/C	3.0	8	50	3
F MD D 3MM 3C ALUM. H4 S/C	3.0	8	50	4
F MD D 3MM 3C ALUM. H6 S/C	3.0	8	50	6
F MD D 4MM 3C ALUM. S/C	4.0	11	50	4
F MD D 4MM 3C ALUM. H6 S/C	4.0	11	50	6
F MD D 5MM 3C ALUM. S/C	5.0	13	50	5
F MD D 6MM 3C ALUM. S/C	6.0	15	50	6
F MD D 7MM 3C ALUM. S/C	7.0	18	60	8
F MD D 8MM 3C ALUM. S/C	8.0	20	60	8