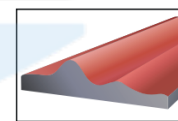
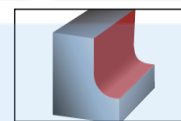
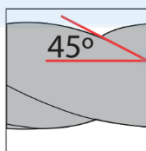
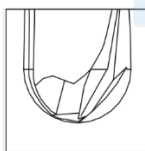
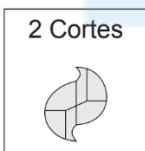
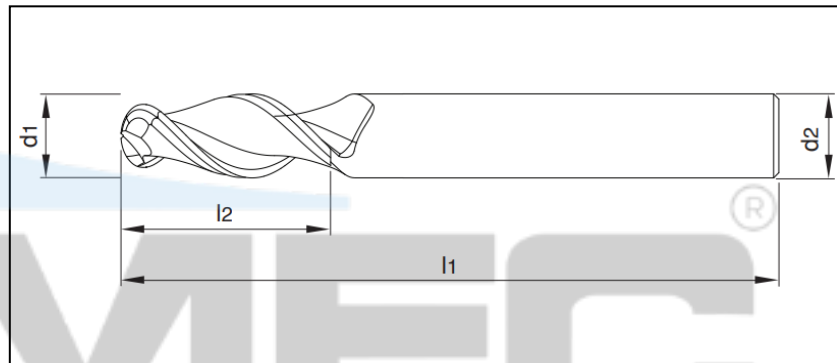
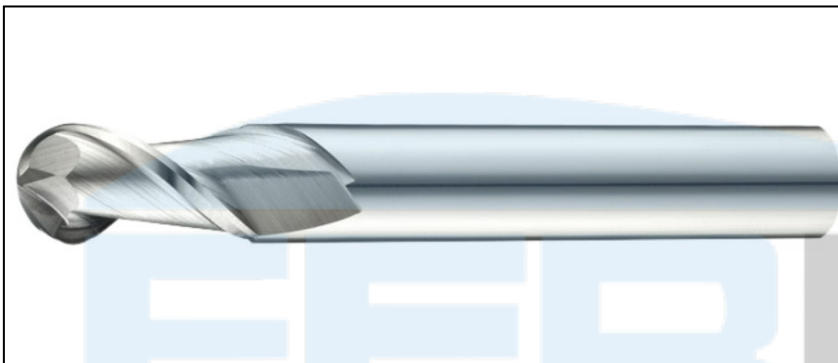


# FRESA DE TOPO ESFÉRICO DE METAL DURO PARA ALUMÍNIO

## 2 CORTES - LONGA



Código	d1	l2	l1	d2
F MD ESF. D 1MM 2C ALUM. H4 S/C	1.0	2	75	4
F MD ESF. D 1MM 2C ALUM. H6 S/C	1.0	2	75	6
F MD ESF. D 1.5MM 2C ALUM. H4 S/C	1.0	3	75	4
F MD ESF. D 2MM 2C ALUM. H4 S/C	2.0	4	75	4
F MD ESF. D 2MM 2C ALUM. H6 S/C	2.0	4	75	6
F MD ESF. D 2.5MM 2C ALUM. H4 S/C	2.0	5	75	4
F MD ESF. D 3MM 2C ALUM. S/C	3.0	6	75	3
F MD ESF. D 3MM 2C ALUM. H4 S/C	3.0	6	75	4
F MD ESF. D 3MM 2C ALUM. H6 S/C	3.0	6	75	6
F MD ESF. D 3.5MM 2C ALUM. H4 S/C	3.5	7	75	4
F MD ESF. D 4MM 2C ALUM. S/C	4.0	8	75	4
F MD ESF. D 4MM 2C ALUM. H6 S/C	4.0	8	75	6
F MD ESF. D 5MM 2C ALUM. S/C	5.0	10	75	5
F MD ESF. D 6MM 2C ALUM. S/C	6.0	12	75	5
F MD ESF. D 8MM 2C ALUM. S/C	8.0	16	75	8
F MD ESF. D 10MM 2C ALUM. L S/C	10.0	20	100	10
F MD ESF. D 12MM 2C ALUM. L S/C	12.0	24	100	12
F MD ESF. D 16MM 2C ALUM. S/C	16.0	30	100	16
F MD ESF. D 20MM 2C ALUM. S/C	20.0	30	100	20