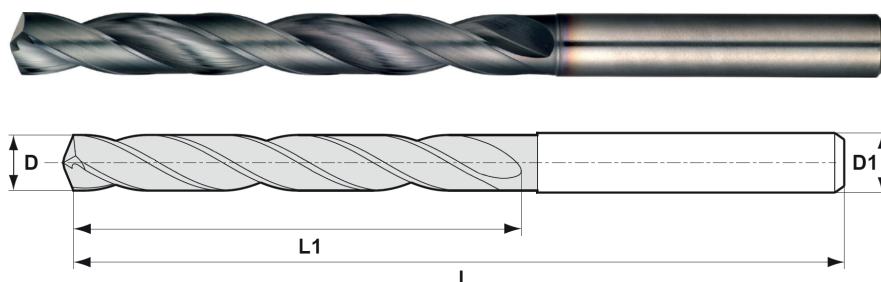


## BROCA DE METAL DURO - 3XD


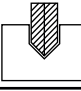
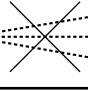
3XD	140° 	HÉLICE 30° 
	2 CORTES 	
FM500	FM3000	

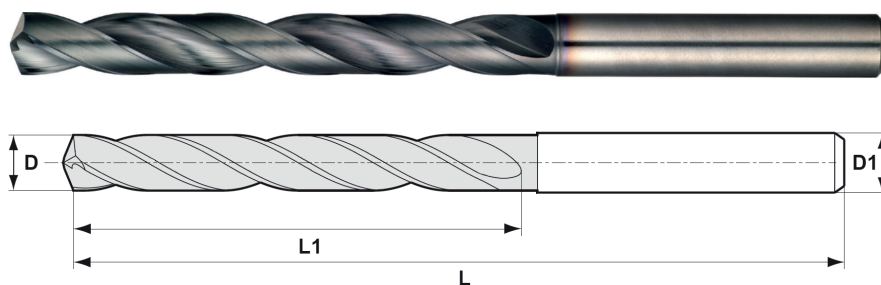


Ø Corte (D)	Comp. Corte (L1)	Comp. Total (L)	Ø Haste (D1)
2.0	22	62	H2
2.0	22	62	H4
2.5	28	64	H4
3.0	28	64	H3
3.0	22	62	H6
3.1	22	62	H6
3.2	22	62	H6
3.3	22	62	H6
3.4	22	62	H6
3.5	28	64	H3,5
3.5	22	62	H6
3.6	22	62	H6
3.7	22	62	H6
3.8	24	64	H6
3.9	24	64	H6
4.0	24	74	H4
4.0	24	64	H6
4.1	24	64	H6
4.2	24	74	H6
4.3	24	64	H6
4.4	24	64	H6
4.5	24	64	H4.5
4.5	24	64	H6
4.6	24	64	H6
4.7	24	64	H6
4.8	28	64	H6
4.9	28	64	H6
5.0	28	64	H5
5.0	28	64	H6
5.1	28	64	H6

Ø Corte (D)	Comp. Corte (L1)	Comp. Total (L)	Ø Haste (D1)
5.2	28	64	H6
5.3	28	64	H6
5.4	28	64	H6
5.5	28	64	H6
5.6	28	64	H6
5.7	28	64	H6
5.8	28	64	H6
5.9	28	64	H6
6.0	28	64	H6
6.1	34	79	H8
6.2	34	79	H8
6.3	34	79	H8
6.4	34	79	H8
6.5	34	79	H8
6.6	34	79	H8
6.7	34	79	H8
6.8	34	79	H8
6.9	34	79	H8
7.0	34	79	H8
7.1	41	79	H8
7.2	41	79	H8
7.3	41	79	H8
7.4	41	79	H8
7.5	41	79	H8
7.6	41	79	H8
7.7	41	79	H8
7.8	41	79	H8
7.9	41	79	H8
8.0	41	79	H8
8.1	47	81	H10

**BROCA DE METAL DURO - 3XD**

<b>3XD</b>	<b>140°</b> 	<b>HÉLICE 30°</b>
	<b>2 CORTES</b>	
<b>FM500</b>	<b>FM3000</b>	

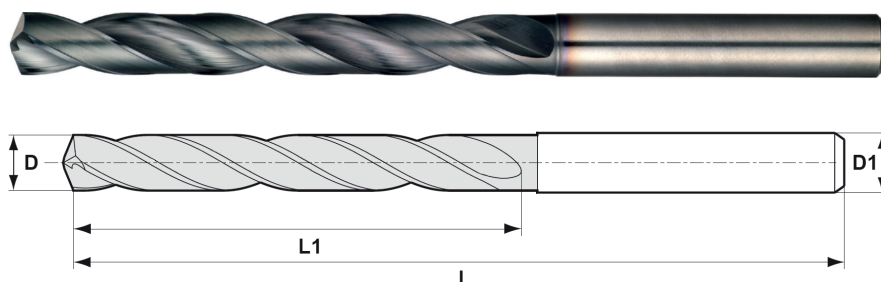


Ø Corte (D)	Comp. Corte(L1)	Comp. Total (L)	Ø Haste (D1)
8.2	47	81	H10
8.3	47	81	H10
8.4	47	81	H10
8.5	47	81	H10
8.6	47	81	H10
8.7	47	81	H10
8.8	47	81	H10
8.9	47	81	H10
9.0	47	81	H10
9.1	47	81	H10
9.2	47	81	H10
9.3	47	81	H10
9.4	47	81	H10
9.5	47	81	H10
9.6	47	81	H10
9.7	47	81	H10
9.8	47	81	H10
9.9	47	81	H10
10.0	55	81	H10
10.1	55	102	H12
10.2	55	102	H12
10.3	55	102	H12
10.4	55	102	H12
10.5	55	102	H12
10.6	55	102	H12
10.7	55	102	H12
10.8	55	102	H12
10.9	55	102	H12
11.0	55	102	H12
11.1	55	102	H12

Ø Corte (D)	Comp. Corte(L1)	Comp. Total (L)	Ø Haste (D1)
11.2	55	102	H12
11.3	55	102	H12
11.4	55	102	H12
11.5	55	102	H12
11.6	55	102	H12
11.7	55	102	H12
11.8	55	102	H12
11.9	55	102	H12
12.0	55	102	H12
12.1	55	102	H14
12.2	60	107	H14
12.3	60	107	H14
12.4	60	107	H14
12.5	60	107	H14
12.6	60	107	H14
12.7	60	107	H14
12.8	60	107	H14
12.9	60	107	H14
13.0	60	107	H14
13.1	60	107	H14
13.2	60	107	H14
13.3	60	107	H14
13.4	60	107	H14
13.5	60	107	H14
13.6	60	107	H14
13.7	60	107	H14
13.8	60	107	H14
13.9	60	107	H14
14.0	60	107	H14
14.1	65	108	H16

## BROCA DE METAL DURO - 3XD

3XD	140° 	HÉLICE 30° 
	2CORTES 	
FM500	FM3000	



Ø Corte (D)	Comp. Corte(L1)	Comp. Total (L)	Ø Haste (D1)
14.2	65	108	H16
14.3	65	108	H16
14.4	65	108	H16
14.5	65	108	H16
14.6	65	108	H16
14.7	65	108	H16
14.8	65	108	H16
14.9	65	108	H16
15.0	65	108	H16
15.1	65	108	H16
15.2	65	108	H16
15.3	65	108	H16
15.4	65	108	H16
15.5	65	108	H16
15.6	65	108	H16
15.7	65	108	H16
15.8	65	108	H16
15.9	65	108	H16
16.0	65	108	H16
16.1	73	108	H18
16.2	73	108	H18
16.3	73	108	H18
16.4	73	108	H18
16.5	73	108	H18
16.6	73	108	H18
16.7	73	108	H18
16.8	73	108	H18
16.9	73	108	H18
17.0	73	108	H18
17.1	73	108	H18

Ø Corte (D)	Comp. Corte(L1)	Comp. Total (L)	Ø Haste (D1)
17.2	73	108	H18
17.3	73	108	H18
17.4	73	108	H18
17.5	73	108	H18
17.6	73	108	H18
17.7	73	108	H18
17.8	73	108	H18
17.9	73	108	H18
18.0	73	108	H18
18.1	73	108	H20
18.2	73	108	H20
18.3	73	108	H20
18.4	73	108	H20
18.5	73	108	H20
18.6	73	108	H20
18.7	73	108	H20
18.8	73	108	H20
18.9	73	108	H20
19.0	73	108	H20
19.1	73	108	H20
19.2	73	108	H20
19.3	73	108	H20
19.4	73	108	H20
19.5	73	108	H20
19.6	73	108	H20
19.7	73	108	H20
19.8	73	108	H20
19.9	73	108	H20
20.0	73	108	H20